

## All-In-One LED Solar Street Light



### **Introduction:**

NITTO All-In-One Solar LED Street Light integrates a high lumen LED lamp, high efficiency sun power monocrystalline silicon solar panel, and a smart controller with PIR motion sensor and light sensor. Generally, PIR motion sensor and light sensor outputs light in energy-saving mode, when PIR motion sensor detects a moving object, it will automatically light at full brightness for a certain time, then turn back to energy-saving mode. When it dark, it will light on automatically. It is simply installed and there is nearly no need for maintenance. Last but not least, it is 100% clean, green, renewable light, and can be used in for street, garden, country yard, parking lot, seaside resort and exterior area lighting wherever there is sufficient sunlight.

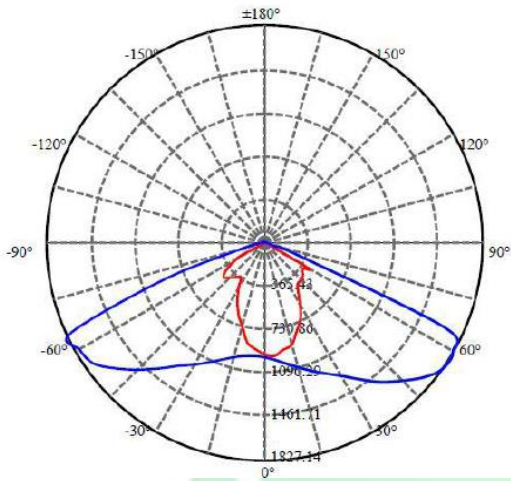
### **Features & Applications:**

- Using solar power, LED lamp for saving energy
- Integrated design without wiring
- Rain-proof structure
- High brightness & excellent CRI
- Low energy consumption, save electricity up to 70%
- Long Life Span up to 36,000 hours

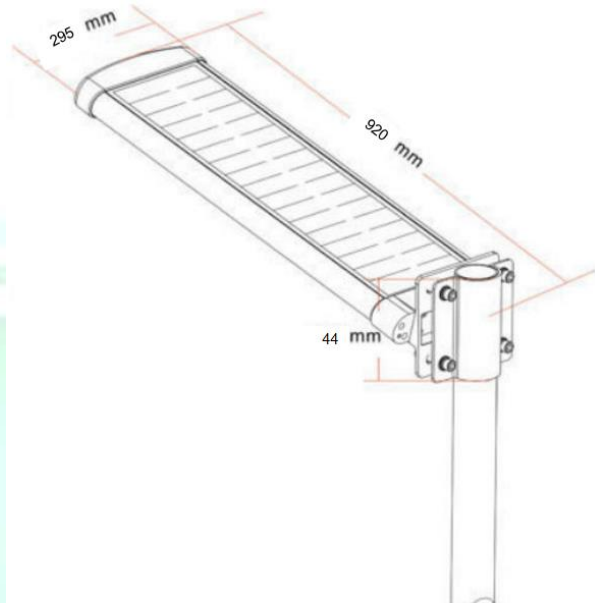
**Specifications:**

Model		NITTO-SSL-40W
LED Lamp	Input voltage	DC12V
	Power	40W
	Ra	>80
	Color temperature	6000K/6500K
	LED luminous flux	4400 lm
	Luminaire luminous flux	3200 lm
	Beam angle design	140degree
	Lifespan	36,000Hours@L70
	Protection class	IP65
	Sensor	light sensor/PIR sensor
Solar Panel	Brand	JINKO
	efficacy	19.8%
	Material	Monocrystalline solar panel, toughened glass
	Size	920*295mm
Battery	Brand	BST
	Material	Solar –specific lithium battery
	Capacity	LiFe04 12.8V,18AH
	Charging time	6h (sufficient sunshine)
	Discharging time	12h (full power) 24h(half power)
Case material of lamp		Aluminum alloy
Installation	Mounting height	6~8m
	Mounting distance	20~25m
	Pole diameter	76~105mm
Packaging information	Product size	920*295*44mm
	Net weight	7.7kg
	Gross weight	10kg
	Package size	940*350*210mm
Design Standard		<b>International Safety standard(LVD):</b>
		EN 60968:1990+A1:1993+A2:1999
		<b>International Electro Magnetic Compatibility(EMC) standard:</b>
		EN 61000-3-2:2006+A1:2009+A2:2009, EN 61000-3-3:2008, EN 55015:2006+A1:2007+A2:2009,EN 61547:2009

**Light distribution:**



**Dimension:**



# Optotronic Technology